



Esaware Motor Integrated Servo-Drive

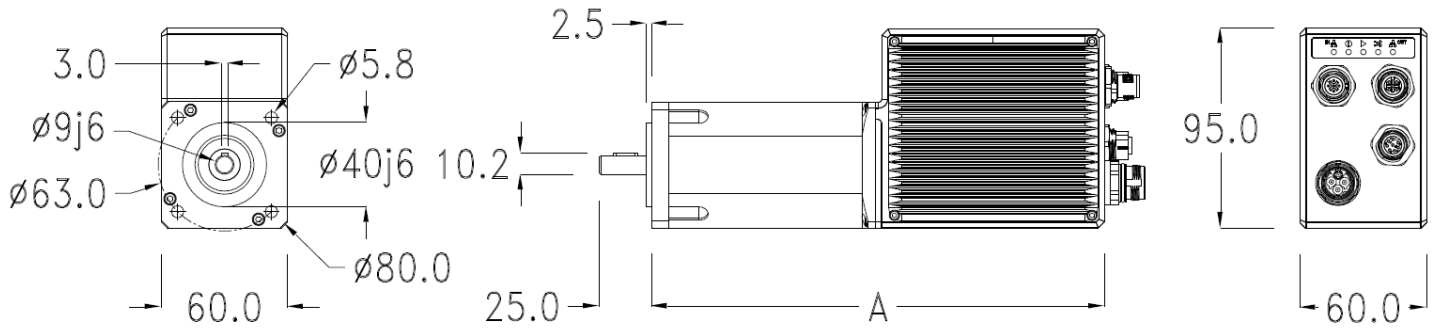
EWD B

	EWDB1210xxx	EWDB1220xxx
Voltage Supply Power Stage (Vdc)	24 ... 60	
Voltage Supply Control Stage (Vdc)	24	
Output Power (W)	400	800
Continuous Output Current (A)	10	
Peak Output Current (for 2 s) (A)	20	
Motor Stall Torque (Nm)	0.7	1,3
Motor Peak Torque (Nm)	2.3	4
Motor Nominal Speed (rpm)	2500	3000
Motor Inertia (kgcm ²)	0.13	0.23
Output Frequency (Hz)	Up to 500	
Switching Frequency PWM (kHz)	8	
Analogue Input	no	
Digital Input	4 x +24 Vdc (Drive Enable – Limit Switch 1, 2 – Homing)	
Digital Output	no	
Status Led	For status and alarms warning	
FieldBUS	CANopen – EtherCAT – EtherNet IP - ProfinetIO	
Protection	I ² T, thermal	
Connection Type	Connectors M17 for power and M12 for signal / fieldbus	
Brake management	Integrated; immediate stop or in ramp mode	
Motor types	Brushless sinusoidal	
Configuration drive	Software Drivewatcher	
Power Loss (W)	7,2 @ stand-by – 24,3 @ I nominal	
Operating Temperature (°C)	0 ... + 40 (not condensing)	
Storage Temperature (°C)	-25 ... + 85	
Humidity	5% .. 85% (not condensing)	
Altitude	Up to 1000 m above sea level without derating	
Protection degree	IP 65	
Certifications	2014/35/UE - 2014/30/UE - 2011/65/UE – CEI EN 61800-3 2005 - CEI EN 61800-2 - EI EN 61800-5-1 2009	

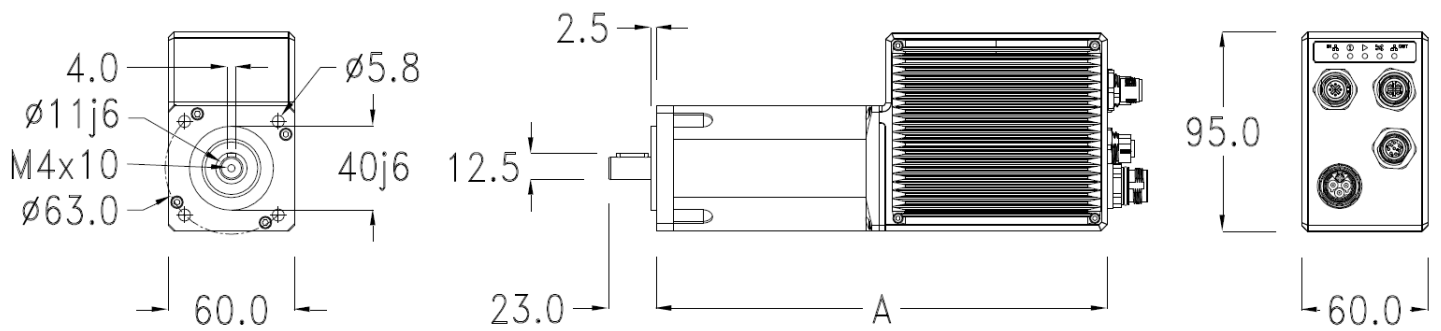


DIMENSIONS:

CAN - EWDB12xxAxA4xxx



CAN - EWDB12xxAx00xxx



Code	A (mm)	Weight (kg)
EWDB1210xxx	217,00	1.8
EWDB1220xxx	245,00	2.3
EWDB1211xxx	247,50	2.3
EWDB1221xxx	275,40	2.8

